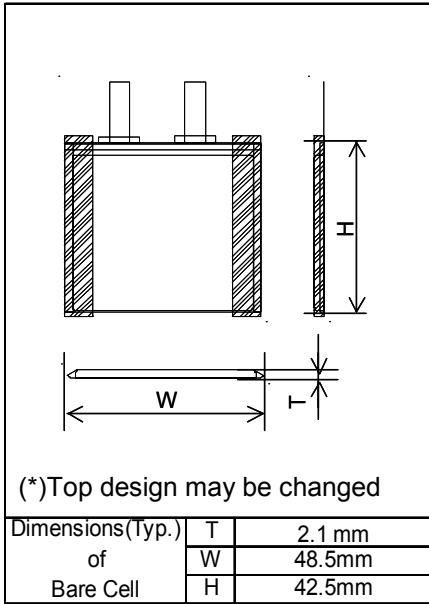


Lithium Polymer

Cell Type UPF234943L

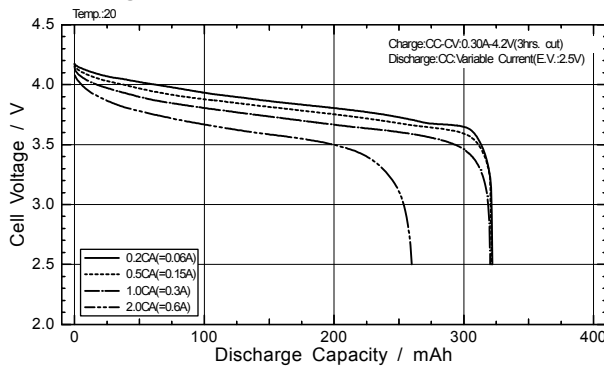
Specifications



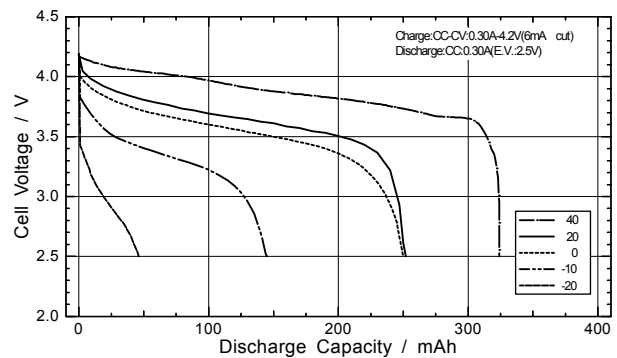
Nominal Capacity		300mAh
Nominal Voltage		3.7V
Charging Method		Constant Current -Constant Voltage
Charging Voltage		4.2V
Charging Current		Std. 300mA
Charging Time		3.0hrs.
Ambient Temperature	Charge	0~+40°C
	Discharge	-20~+60°C
	Storage	-20~+60°C
Weight (Max.)		8.3g
Dimensions (Max.)	(T) *	2.30mm
	(W)	49.00mm
	(H)	43.00mm
Volumetric Energy Density		229Wh/l
Gravimetric Energy Density		133Wh/kg

Typical Characteristics

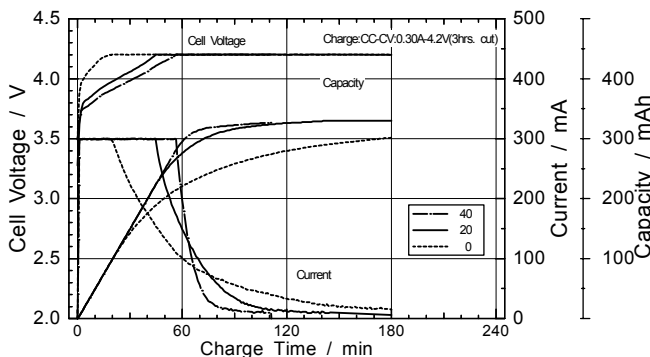
Discharge rate characteristics



Discharge temperature characteristics



Charge characteristics



Cycle characteristics

